



# DaVinci Heat Exchanger

## Compatibility Notes

This kit must be installed in conjunction with a DaVinci pre-configured for heat-exchanger use.

NOTE: **Does not work for island or bay configurations or any unit with 58' tall glass.**

## Packing List

- Blower Assembly with Strain Relief
- Blower Grill
- Wall Switch with Cover Plate
- (2) Single Gang Outlet Boxes (one for new framing, one for retrofit)
- 25' (7.5M) 4" (102mm) Diameter Insulated Duct (U.L. 181)
- (4) Hose Clamps and (4) Lock-Ties
- Register Boot (4" Dia. to 2.25" x 10") (102mm Dia. to 58mm x 254mm)
- Output Register (2.25" x 10") (58mm x 254mm)

## Category 2 Heat Exchanger Location

- For category 2 fireplaces, the heat exchanger is always located on the primary module (near the exhaust).

## Heat Exchanger Length (Inside Fireplace)

- Category 1:
  - 3 Burner = 3' Heat Exchanger (1M)
  - 4 Burner = 4' Heat Exchanger (1.25M)
  - 5 Burner = 5' Heat Exchanger (1.5M)
  - 6 Burner = 5' Heat Exchanger (1.5M)
- Category 2:
  - 7 Burner = 4' Heat Exchanger (1.25M) (4 burner + 3 burner modules)
  - 8 Burner = 4' Heat Exchanger (1.25M) (two (2) 4 burner modules)
  - 9 Burner = 5' Heat Exchanger (1.5M) (5 burner + 4 burner modules)
  - 10 Burner = 5' Heat Exchanger (1.5M) (two (2) 5 burner modules)

## Additional Options

- 3 Gang Box, SKU # 94400132 – (allows heat exchanger switch next to DaVinci controls)
- Remote Intake Grill, SKU # 94400131 (allows for intake box to be concealed & air to be drawn from a register)

## Installation Warnings

**Warning:** This kit must be installed as specified in these instructions. Do not modify any component.

**Warning:** Use of any external blower other than the Travis Power Heat Duct Blower will void the warranty and listing of this appliance and may create a fire hazard.

**Note:** This kit **must** be installed by a qualified service technician.

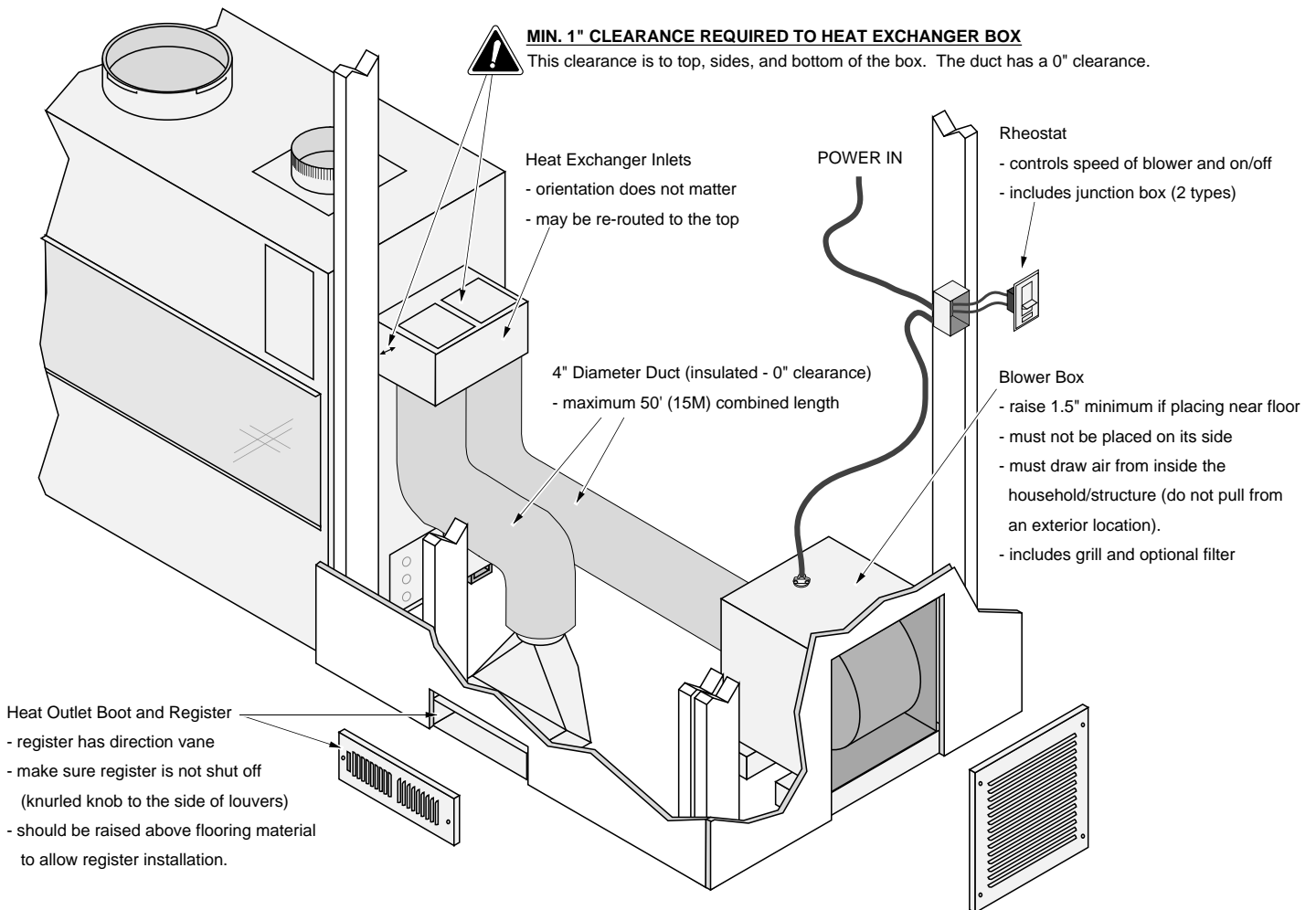
**Note:** Some building codes may require the use of firestop spacers whenever the duct passes from room to room.



# DaVinci Heat Exchanger

## Installation Overview

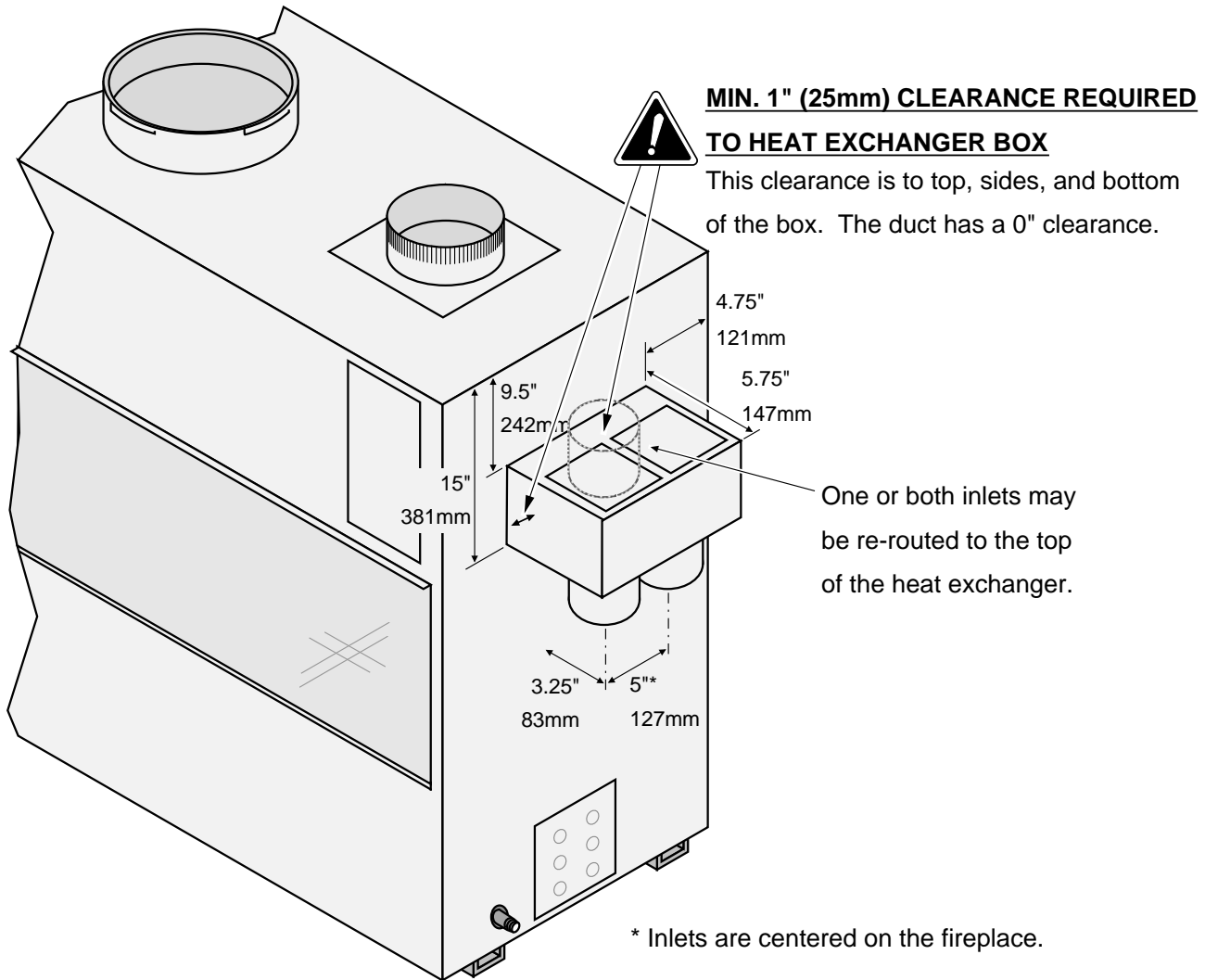
The overview below details installation concerns for the type of heater being used. Install the heat duct prior to installing drywall. The heat exchanger must be manually controlled. The homeowner must turn the blower on and off manually. The blower will remain on even if the fireplace is turned off.





# DaVinci Heat Exchanger

## Fireplace Heat Exchanger Location



## Clearances

- Minimum 1" (25mm) clearance required to the heat exchanger box. This clearance is to the top, sides, and bottom of the box (see illustration above).
- The duct (and its connection to the heat exchanger box) has a 0" clearance.

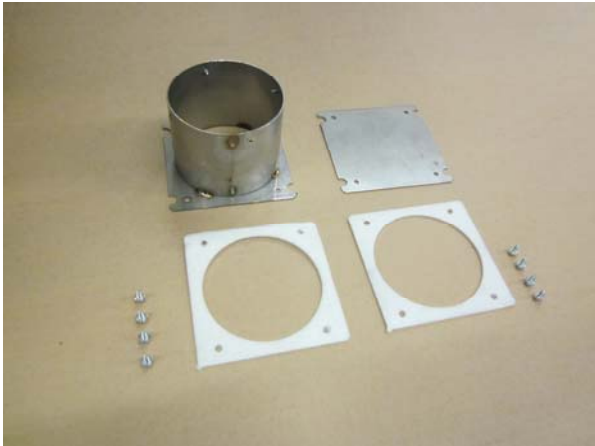


# DaVinci Heat Exchanger

## ***Re-Routing the Heat Exchanger Inlet(s) Upwards***

- The inlets are shipped in the downward position. One or both inlets may be re-routed upwards.
- Remove the 4 screws holding the cover plate and gasket in place.
- Remove the corresponding inlet and gasket and re-connect with the 4 screws in the desired position.
- Re-connect the cover plate and gasket with the 4 screws in the desired position.

NOTE: Cover plate and inlet are positioned with the notches to the side (they will not install if rotated 90°).





# DaVinci Heat Exchanger

---

## Duct Installation

### ***Maximum Duct Length***

- Maximum duct length is 50' (15M) (inlet and outlet combined length).

### ***Duct Routing***

- Duct has a 0" clearance to combustibles.
- Do not route duct next to any surfaces that reach 170° F. (76° C.) or greater (must maintain a minimum 1" (25mm) clearance to the fireplace B-Vent exhaust).
- Do not route duct in external areas or areas subject to severe cold or heat.
- Duct inlet and outlet must be placed within the household/structure. Do not pull air from outside the household/structure.
- Included duct is listed to U.L. 181. If using alternative duct, make sure it complies with U.L. 181.



# DaVinci Heat Exchanger

## Duct Installation

- Attach insulated duct to the connections using the included hose clamps for the inner liner and lock-ties for the outer layer.
- The flexible duct must be supported every 24" (610mm) to 36" (915mm) on horizontal sections. Use framing/plywood or plumbing straps to support the duct. Take care to prevent damage to the duct.

**WARNING:** Do not over-tighten the hose clamps and/or lock-ties. When securing the inner layer, take care to prevent tearing of the material.

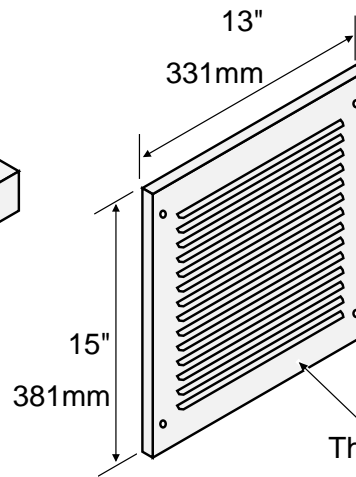
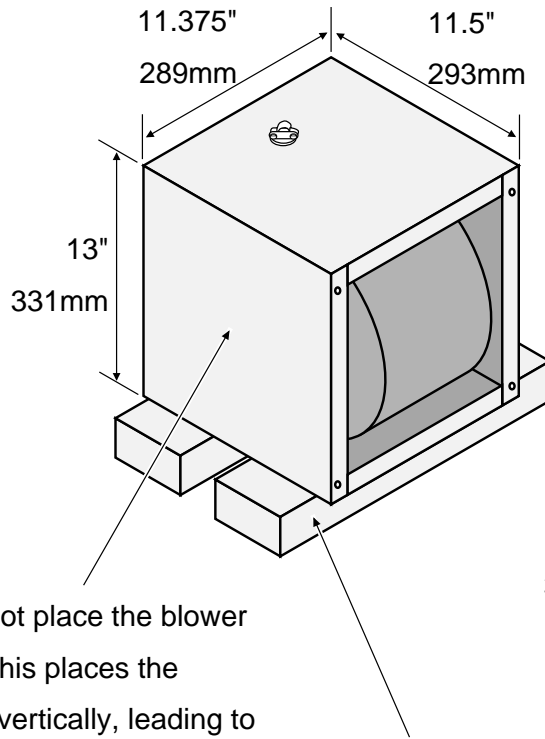




# DaVinci Heat Exchanger

## Blower Box Placement

- The blower box has a removable grill that allows access to the blower. The blower box must be placed so it may be accessed at a later time.
- The blower box may be placed upright (power inlet on the top) or with the grill facing upwards or downwards. **Do not place the blower box on its side** (power inlet on the side with the grill on its side).



The intake grill is primed and ready to paint.

**NOTE:** Do not place the blower on its side (this places the blower axle vertically, leading to premature blower failure).

**NOTE:** If placing the blower near the floor, make sure to raise it a min. 1.5" (39mm) to allow the grill to install (it extends 1.5" 39mm below the base of the blower).

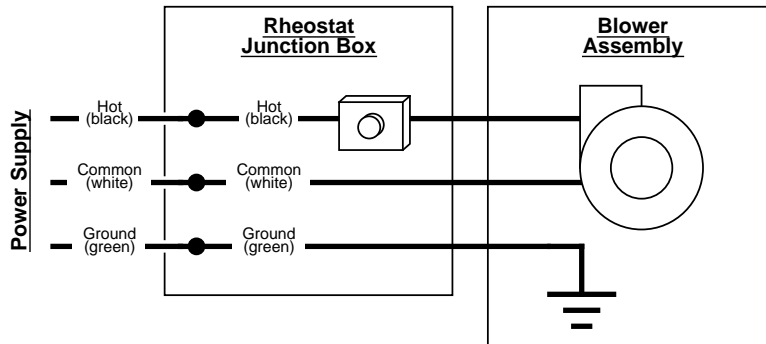


# DaVinci Heat Exchanger

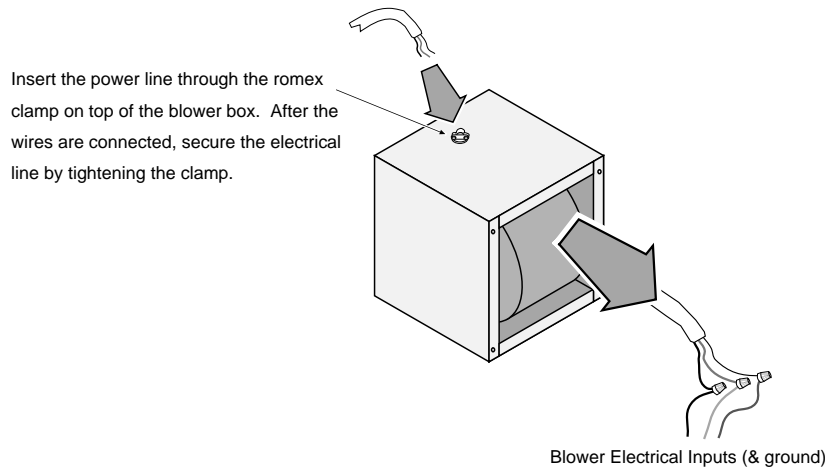
## Wiring Instructions

**WARNING:** All wiring should be done by a qualified electrician and shall be in compliance with local codes and with the current National Electric Code ANSI/NFPA 70 (in the U.S.), or with the current CSC22.1 Canadian Electric Code (in Canada).

### Wiring Diagram

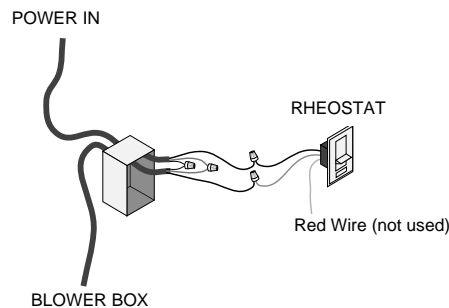


### Blower Box Wiring



### Rheostat Junction Box Wiring

- Two junction boxes are included with this kit (new construction and retrofit). Use the appropriate junction box for your installation.







TRAVIS INDUSTRIES  
HOUSE OF FIRE

# DaVinci Heat Exchanger

---

## Operating Instructions

- Allow the fireplace to reach normal operating temperature. Then use the wall-mounted rheostat to operate the blower speed. Turn the blower off when the fireplace is not in operation.

## Maintenance Instructions

- Once a year the grill should be removed and the blower area cleaned. Use a vacuum to clean around the squirrel-cage blower, being careful not to damage any of the blades.